

## ELECTRIC FORKLIFT TRUCK SERIES Z 60-65-70-80 H

CAPACITY 6.000-6.500-7.000-8.000 Kg  
CENTER OF GRAVITY 600mm  
VOLTAGE 96V  
HIGH PERFORMANCES  
LONG AUTONOMY  
EXTREME COMPACTNESS  
WITH A REALLY SHORT  
TURNING RADIUS  
HIGH DRIVING POSITION

# Z

**carer**  
Electric Forklift Trucks

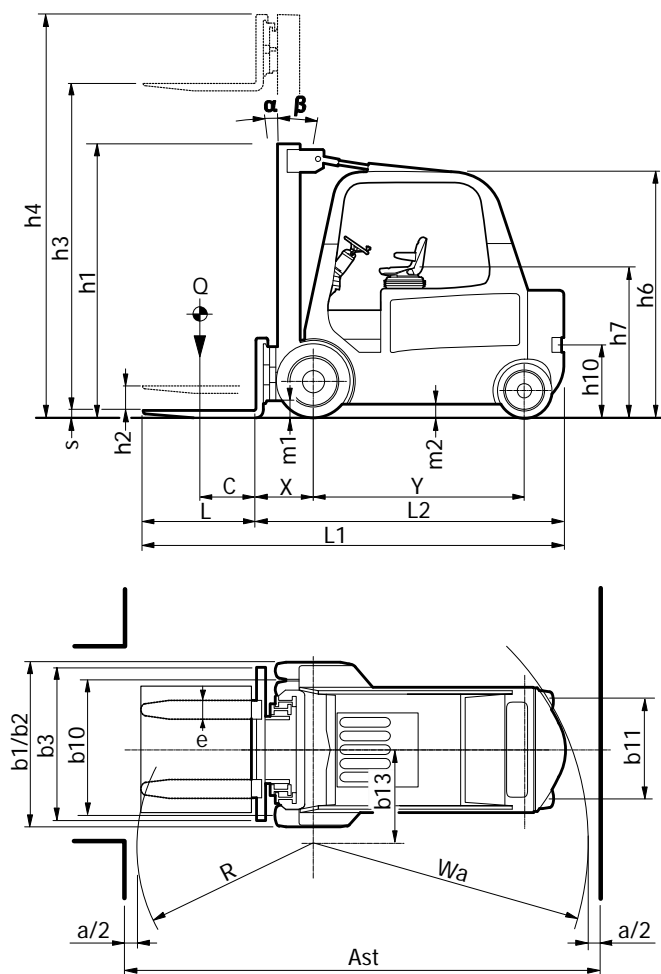


**carer**  
Electric Forklift Trucks

C.A.R.E.R. Srl  
Via Copernico 13  
48010 Cotignola (RA) Italia  
Tel. +39 0545 1938010  
Fax +39 0545 908070  
info@carerforklift.com  
www.carerforklift.com

**MAIN FEATURES**

- CAPACITY 6.000-6.500-7.000-8.000 Kg
- CENTER OF GRAVITY 600mm
- VOLTAGE 96V
- TYRES C-SE- DUAL SE
- MOTORS AC
- ADVANCED MULTIFUNCTION DIGITAL DISPLAY (AMD)
- OIL IMMERSED BRAKES
- TRAVEL SPEED 15,0 km/h
- LIFTING SPEED 0,39 m/s
- BATTERY 96V 1000Ah
- HIGH TILT CYLINDERS



**The benefits of choosing CARER**

The series Z60-80 H of CARER electric forklift trucks range are designed to ensure high performance, long autonomy of the battery and low operating costs. Extremely compact with a really short turning radius, these trucks are designed to be compact and space-saving but at the same time to ensure high performance, reliability and ergonomics; can also be customized and adapted to every condition of use and application, safe and reliable to deal with even the toughest tasks



also possible to fix the cushion or the twin type. The extreme compactness does not sacrifice the habitability of the driving position that turns out to be ergonomic, with excellent accessibility and with all the equipment clearly visible. The steering enhances the dynamic qualities of the forklift truck perfectly combining the lightness of the steering wheel and driving precision.



Oil bath braking system guarantees extraordinary effectiveness and durability. Periodic maintenance required for the brake unit will reduce to a regular oil change. The electric braking allows energy recovery to the release of the accelerator or the reversal of the direction of travel.

The particular shape of the frame allows you to fit high-capacity batteries to meet every need.

The compactness of the truck and the great turning capabilities allow faster and less time storage of the load even in narrow and cramped hallways and aisle All trucks in the series Z60 65 70 80 H are equipped with single super-elastic tires, but, as an option

|                 |   | C.A.R.E.R. Srl   |                               |                               |                               |                               |                               |
|-----------------|---|--|-------------------------------|-------------------------------|-------------------------------|-------------------------------|-------------------------------|
|                 |   | Z60H   | Z65H                          | Z70H                          | Z80H                          |                               |                               |
| CHARACTERISTICS | 1.1                                       | Manufacturer   | C.A.R.E.R. Srl                |                               |                               |                               |                               |
|                 | 1.2                                       | Type   | Z60H                          | Z65H                          | Z70H                          | Z80H                          |                               |
|                 | 1.3                                       | Power Source: Battery, diesel, gas, electric mains   | battery                       | battery                       | battery                       | battery                       |                               |
|                 | 1.4                                       | Operation: manual, pedestrian, stand, seat   | seated                        | seated                        | seated                        | seated                        |                               |
|                 | 1.5                                       | Load capacity  | Q (t)                         | 6,0                           | 6,5                           | 7,0                           | 8,0                           |
|                 | 1.6                                       | Load center  | C (mm)                        | 600                           | 600                           | 600                           | 600                           |
|                 | 1.8                                       | Load distance  | X (mm)                        | 625 (1)                       | 625 (1)                       | 625 (1)                       | 680 (1)                       |
|                 | 1.9                                       | Wheelbase  | Y (mm)                        | 1935                          | 1935                          | 1935                          | 2135                          |
|                 | WEIGHTS                                   | 2.1  | Unladen weight (max. battery) | (kg)                          | 10850                         | 11350                         | 11900                         |
| 2.2             |   | Axle loading laden front/rear (max. battery)   | (kg)                          | 14750/2100                    | 15750/2100                    | 16750/2150                    | 18750/1600                    |
| 2.3             |   | Axle loading unladen front/rear (max. battery)   | (kg)                          | 4950/5900                     | 5140/6210                     | 5320/6580                     | 5950/6400                     |
| TYRES           | 3.1                                       | Tyres: C= cushion, SE= super-elastic, PN= Pneumatic, SEG= dual super-elastic PNG= dual pneumatic, VLK= vulkollan |                               | C-SE-SEG                      | C-SE-SEG                      | C-SE-SEG                      | C-SE-SEG                      |
|                 | 3.2                                       | Tyre size, front   |                               | 840x356 - 355/65-15 - 8.25-15 | 840x356 - 355/65-15 - 8.25-15 | 840x356 - 355/50-20 - 8.25-15 | 840x356 - 355/50-20 - 8.25-15 |
|                 | 3.3                                       | Tyre size, rear  |                               | 559x203 - 23x10-12            | 559x203 - 23x10-12            | 559x203 - 23x10-12            | 559x229 - 23x10-12            |
|                 | 3.5                                       | Wheels: Number front / rear (X = driven)   |                               | 2X/2 (SEG:4X/2)               | 2X/2 (SEG:4X/2)               | 2X/2 (SEG:4X/2)               | 2X/2 (SEG:4X/2)               |
|                 | 3.6                                       | Track width, front, standard/wide tread  | b10 (mm)                      | 1312-1361-1393                | 1312-1361-1393                | 1312-1355-1393                | 1312-1355-1393                |
|                 | 3.7                                       | Track width, rear  | b11 (mm)                      | 1055                          | 1055                          | 1055                          | 1055                          |
| DIMENSIONS      | 4.1                                       | Mast tilt, forward $\alpha$ / back $\beta$   | $\alpha/\beta$ (°)            | 4/8 (2)                       | 4/8 (2)                       | 4/8 (2)                       | 4/8 (2)                       |
|                 | 4.2                                       | Height of mast lowered   | h1 (mm)                       | 2680                          | 2680                          | 2680                          | 2792                          |
|                 | 4.3                                       | Free lift  | h2 (mm)                       | 100                           | 100                           | 100                           | 100                           |
|                 | 4.4                                       | Lift height  | h3 (mm)                       | 3400                          | 3400                          | 3400                          | 3400                          |
|                 | 4.5                                       | Height of mast extended  | h4 (mm)                       | 4370                          | 4370                          | 4370                          | 4530                          |
|                 | 4.7                                       | Height to top of overhead guard  | h6 (mm)                       | 2650                          | 2650                          | 2650                          | 2650                          |
|                 | 4.8                                       | Seat height  | h7 (mm)                       | 1635                          | 1635                          | 1635                          | 1635                          |
|                 | 4.12                                      | Towing coupling height   | h10 (mm)                      | 680                           | 680                           | 680                           | 680                           |
|                 | 4.19                                      | Overall length   | L1 (mm)                       | 4210                          | 4210                          | 4210                          | 4465                          |
|                 | 4.20                                      | Length to face of fork   | L2 (mm)                       | 3010                          | 3010                          | 3010                          | 3265                          |
|                 | 4.21                                      | Overall width, standard / wide tread   | b1 (mm)                       | 1669-1661-1838                | 1669-1661-1838                | 1669-1670-1838                | 1669-1670-1838                |
|                 | 4.22                                      | Fork dimensions  | exsxL (mm)                    | 150x60x1200                   | 150x60x1200                   | 150x60x1200                   | 200x60x1200                   |
|                 | 4.23                                      | Fork carriage ISO 2328/30, FEM / A, B  |                               | 4A                            | 4A                            | 4A                            | 4A                            |
|                 | 4.24                                      | Fork carriage width  | b3 (mm)                       | 1500                          | 1500                          | 1500                          | 1500                          |
|                 | 4.31                                      | Ground clearance under mast, laden   | m1 (mm)                       | 150                           | 150                           | 150                           | 150                           |
|                 | 4.32                                      | Ground clearance at center of wheelbase  | m2 (mm)                       | 110                           | 110                           | 110                           | 110                           |
|                 | 4.33                                      | Aisle width with pallets 1000x1200mm wide  | Ast (mm)                      | 4465                          | 4465                          | 4465                          | 4780                          |
| 4.34            | Aisle width with pallets 800x1200mm long  | Ast (mm)   | 4665                          | 4665                          | 4665                          | 4980                          |                               |
| 4.35            | Outer turning radius                      | Wa (mm)  | 2640                          | 2640                          | 2640                          | 2900                          |                               |
| 4.36            | Inner turning radius, standard/wide tread | b13 (mm)   | 950                           | 950                           | 950                           | 1100                          |                               |
| PERFORMANCES    | 5.1                                       | Travel speed, with / without load  | (km/h)                        | 15,0/15,0                     | 15,0/15,0                     | 14,5/15,0                     | 14,0/15,0                     |
|                 | 5.2                                       | Lifting speed, with / without load   | (m/s)                         | 0,25/0,39                     | 0,24/0,39                     | 0,23/0,39                     | 0,21/0,38                     |
|                 | 5.3                                       | Lowering speed with / without load   | (m/s)                         | 0,50/0,40                     | 0,50/0,40                     | 0,50/0,40                     | 0,50/0,40                     |
|                 | 5.5                                       | Drawbar pull, with / without load (S2 60 °)  | (N)                           | 6900/7500                     | 6800/7400                     | 6600/7300                     | 6400/7200                     |
|                 | 5.6                                       | Max drawbar pull, with / without load (S2 5 °)   | (N)                           | 16400/17000                   | 16300/16900                   | 16100/16800                   | 15900/16700                   |
|                 | 5.7                                       | Gradeability, with / without load (S2 30 °)  | (%)                           | 6,5/11                        | 6/10,5                        | 5,5/10                        | 5/9,5                         |
|                 | 5.8                                       | Max gradeability, with / without load (S2 5 °)   | (%)                           | 10/16                         | 9/15                          | 8,5/14                        | 8/13,5                        |
|                 | 5.9                                       | Acceleration time, with / without load (10 m)  | (s)                           | 5,8/5,4                       | 6/5,6                         | 6,1/5,7                       | 6,2/5,8                       |
|                 | 5.10                                      | Service brake: mech. / Hydraulic / electric  |                               | hydr/elect                    | hydr/elect                    | hydr/elect                    | hydr/elect                    |
| MOTORS / BATT.  | 6.1                                       | Drive motor output (S2 60 °)   | (kW)                          | 22                            | 22                            | 22                            | 22                            |
|                 | 6.2                                       | Lifting motor (S3 20%)   | (kW)                          | 30                            | 30                            | 30                            | 30                            |
|                 | 6.4                                       | Battery voltage  | U (V)                         | 96                            | 96                            | 96                            | 96                            |
|                 | 6.4.1                                     | Battery capacity   | K5 (Ah)                       | 840/920/1000                  | 840/920/1000                  | 920/1000                      | 1000                          |
| 6.5             | Battery weight minimum / maximum          | (kg)   | 2600/3050                     | 2600/3050                     | 2750/3050                     | 2900/3050                     |                               |
| OTHER           | 8.1                                       | Drive control  |                               | inverter                      | inverter                      | inverter                      | inverter                      |
|                 | 8.2                                       | Working pressure for attachments   | (bar)                         | 160                           | 160                           | 160                           | 160                           |
|                 | 8.4                                       | Average noise level at operator's ear  | (dBA)                         | -                             | -                             | -                             | -                             |

VDI 2198  
 (1) With integral side-shift on the mast  
 (2) Lifting heights > 4.5 m, 3°/7°.